

Skylight-Veranda

A new generation of skylights and verandas made up of a base system with a wide range of mullions and transoms that resolve the different aesthetic and constructive requirements for the architectonic requirements using integral solutions that permit the achievement of new spaces with great luminosity.

The base profiles consist of mullions from 130 mm to 250 mm and transoms from 40.5 mm to 255.5 mm as well as the complementary accessories that are common to all of the CORTIZO range of new façades.

The Thermal Breaking area, together with an ample glazing capacity of up to 50 mm with glass compositions of large thicknesses and energy efficiency, gives to this new range of skylights and verandas, many excellent thermal and acoustic features.

The profile design with first, second and third level mullions and transoms, allows the possibility of different water escape levels that guarantee perfect drainage and ventilation, and in this way it ensures total weather tightness.

It allows the possibility of making skylights for gabled and hipped roofs and for the integration in the verandas of hinged and sliding series in its vertical facing.

Option of a motorized projecting opening in covered areas.



Skylight-Veranda

Transmittance

Ucw from 0.6 (W/m²K)

Please consult dimensions and glass

Glazing

Fixed lights: Maximum - 50 mm.
Minimum- 24 mm.

Roof window: Maximum - 46 mm.
Minimum- 24 mm.

Minimum incline Pt= 12% (7°)

Maximum incline Pt= 85% (40°)

Finishes

Colour powder coating (RAL, mottled and rough)

Wood effect powder coating

Anti-bacterial powder coating

Anodized

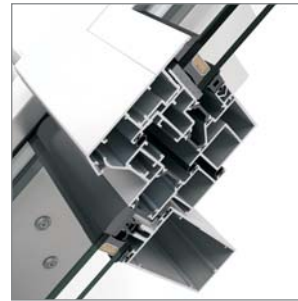
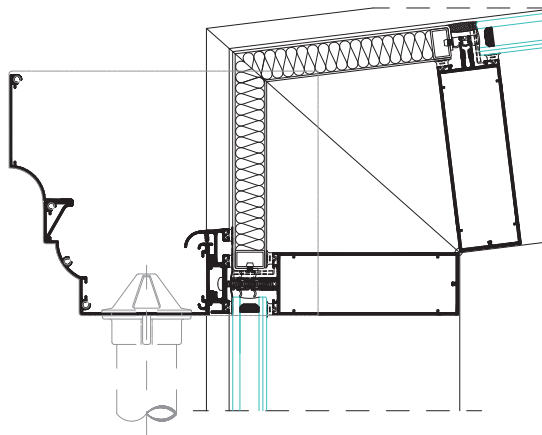


Internal seen section

Mullion 52 mm.
Transom 52 mm.

Profile thickness

2,1 & 3,0 mm.
2,1 mm.



Opening possibilities



Open out: Projecting – covered motorization